

# Decomposing by Distributing

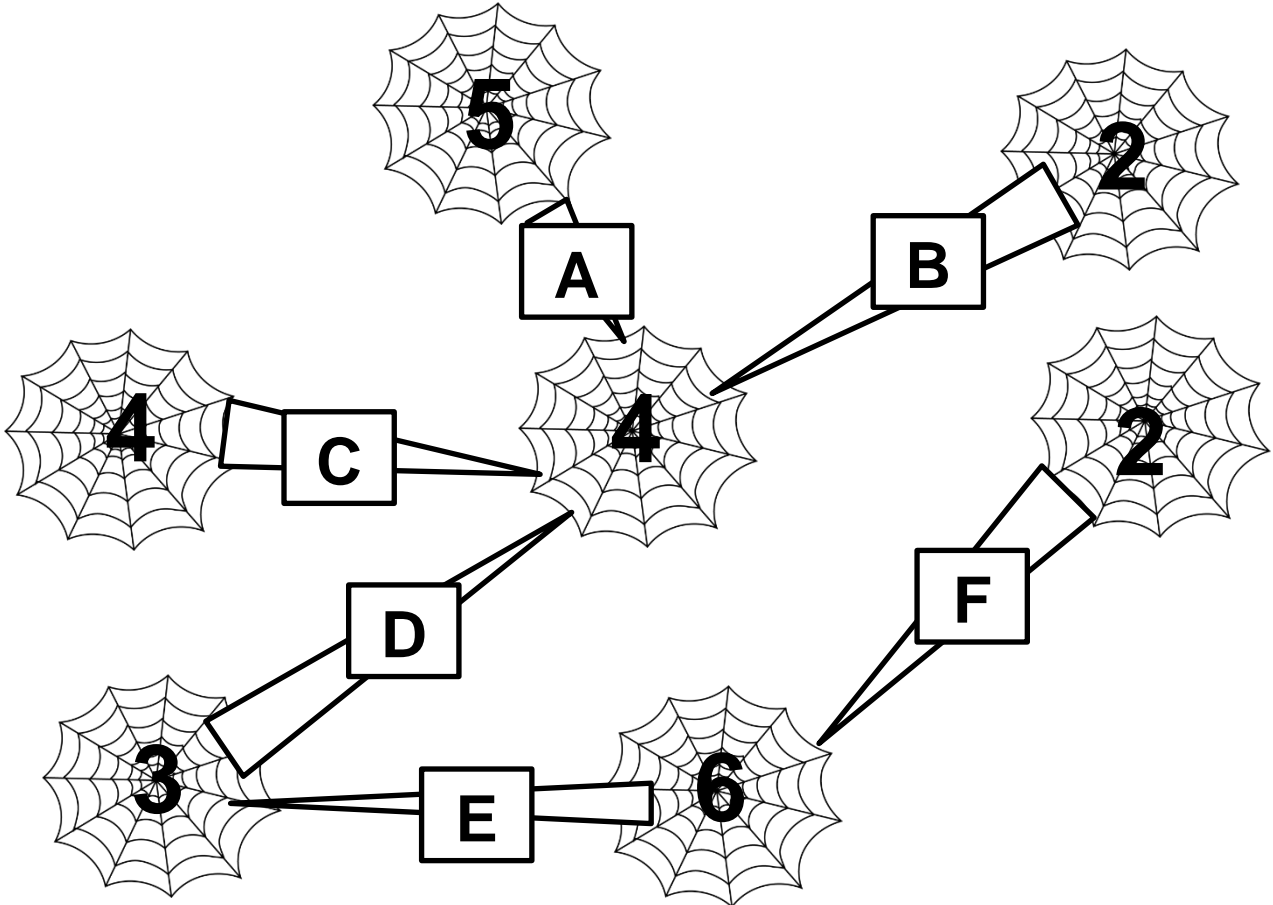
Bell Work –Teacher Edition

Math 3

## Part A:

### Web Distribution

Find the product of the numbers connected by the web.



**A = 20**

**B = 8**

**C = 16**

**D = 12**

**E = 18**

**F = 12**

# Decomposing by Distributing

Bell Work –Teacher Edition

Math 3

## Part B:

Decompose the numbers into 2 possible smaller factors.

1.  $6 = 3 \times 2$

2.  $9 = 3 \times 3$

3.  $8 = 4 \times 2$

4.  $4 = 2 \times 2$

## Part C:

Finish the number bond below.

