

Decomposing by Distributing

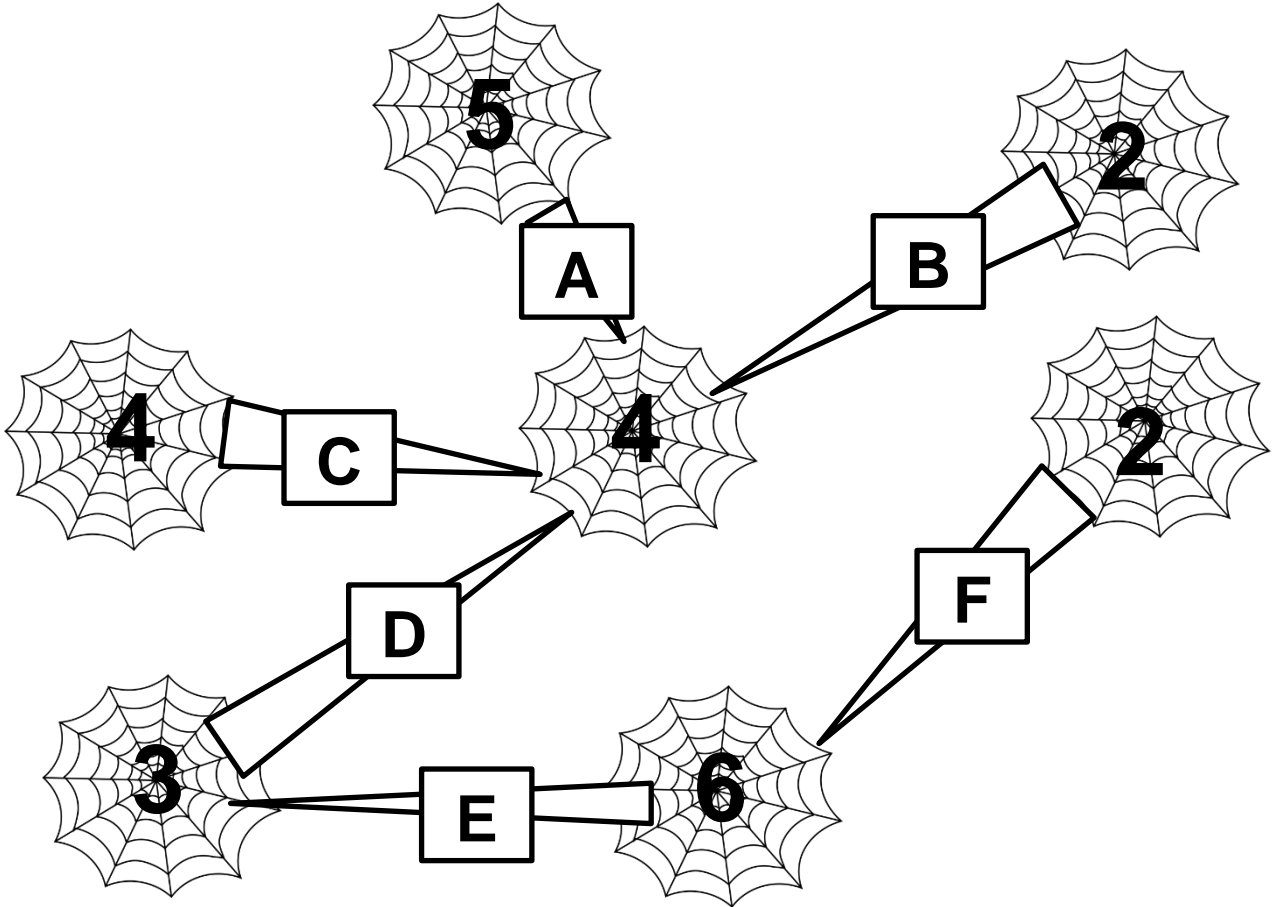
Bell Work

Math 3

Part A:

Web Distribution

Find the product of the numbers connected by the web.



A =

B =

C =

D =

E =

F =

Decomposing by Distributing

Bell Work

Math 3

Part B:

Decompose the numbers into 2 possible smaller factors.

1. $6 = \underline{\quad} \times \underline{\quad}$

2. $9 = \underline{\quad} \times \underline{\quad}$

3. $8 = \underline{\quad} \times \underline{\quad}$

4. $4 = \underline{\quad} \times \underline{\quad}$

Part C:

Finish the number bond below.

